

Hiab XS 122

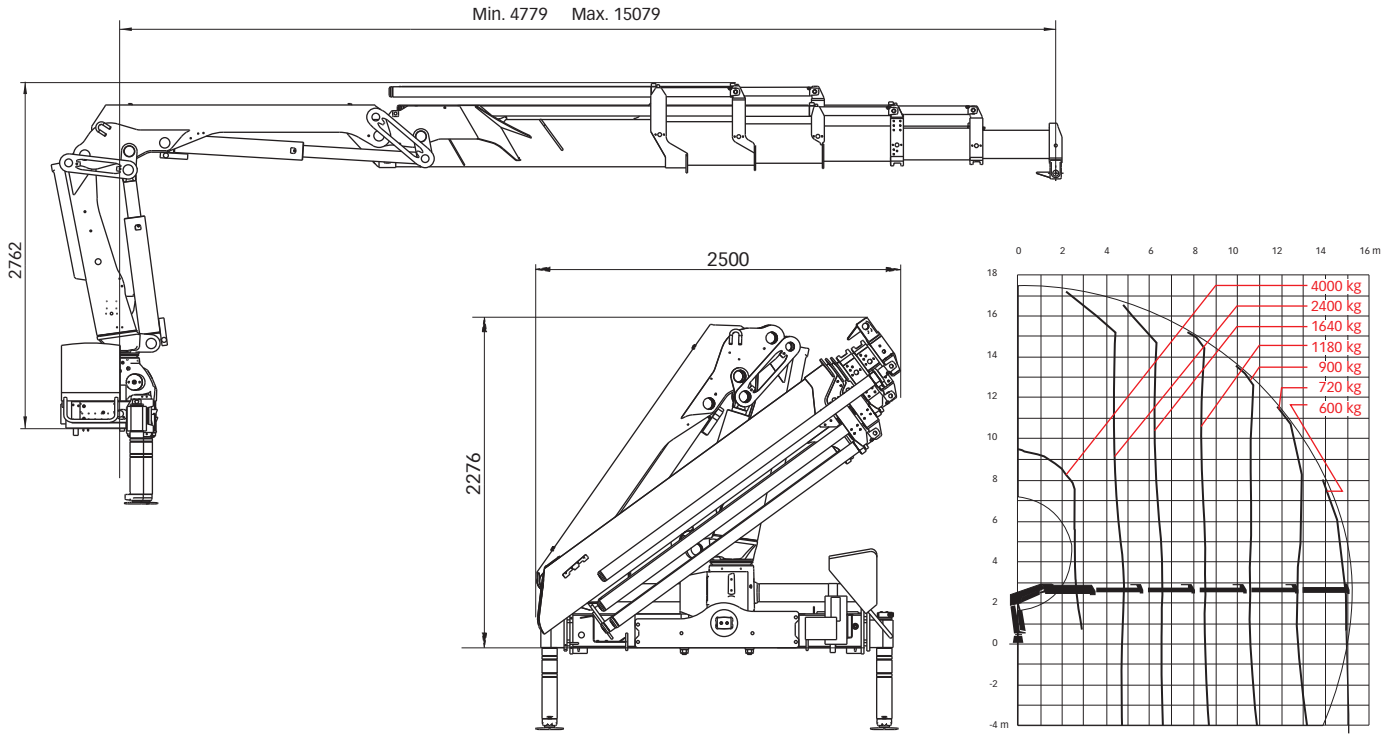
Range 9-12 tm



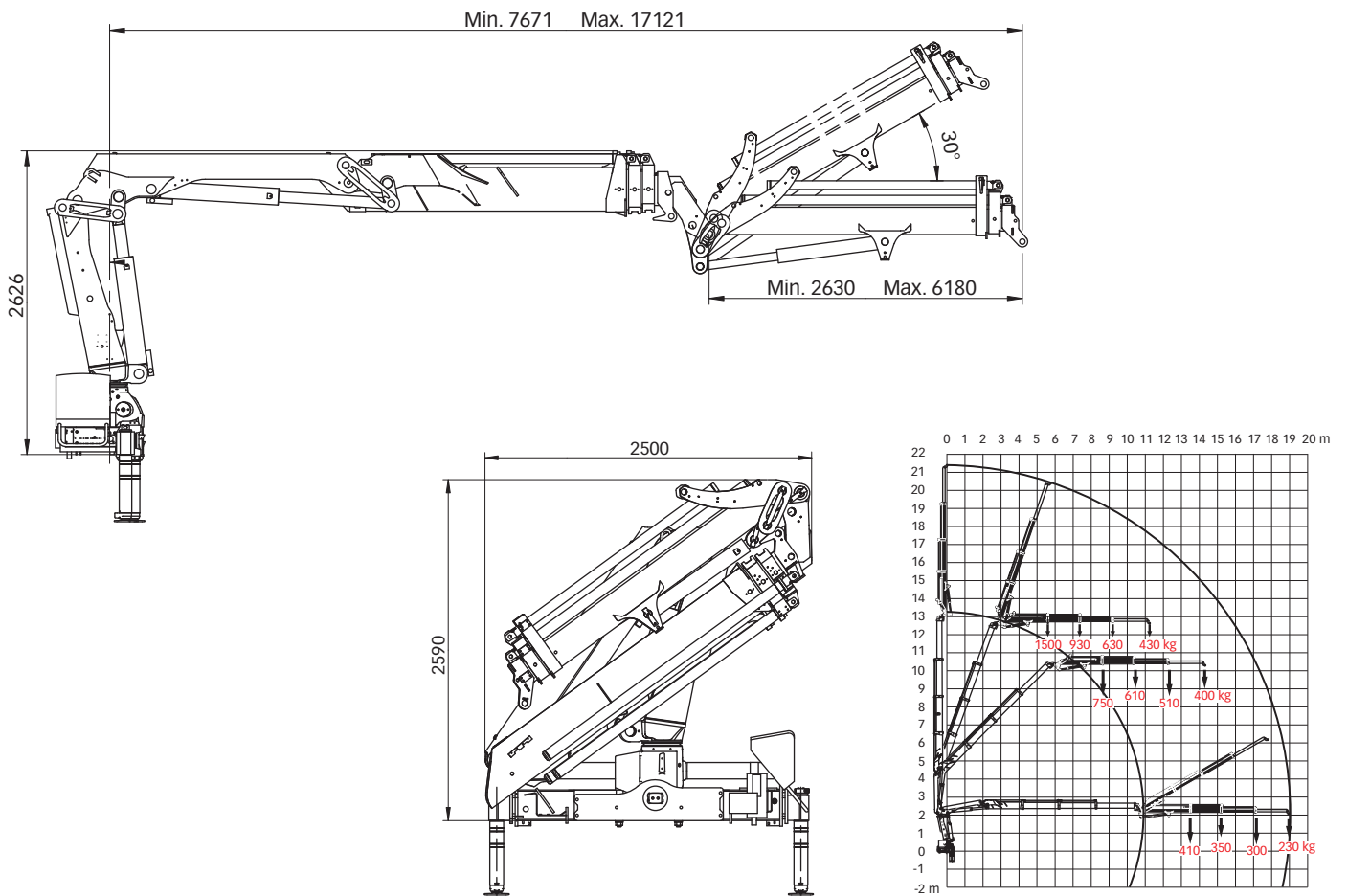
Hiab XS 122 Basic data

Technical data	B-3 CL	B-3 Duo	E-5 HiDuo	ES-3 HiPro	E-3 HiPro	E-5 HiPro
Max. lifting capacity (kNm)	102	110	99	110	108	105
Outreach - hydraulic extensions (m)	10.6	10.6	15.1	10.2	10.5	15.1
Outreach - manual extensions (m)	12.8	-	17.4	17.1	17.4	17.4
Outreach - jib (m)	-	-	-	-	17.1	-
Outreach / lifting capacity (m / kg)	3.0 / 3400	3.0 / 3700	2.6 / 4200	2.3 / 5200	2.6 / 4600	2.9 / 4000
	4.5 / 2300	4.5 / 2500	4.8 / 2300	4.3 / 2900	4.6 / 2700	4.8 / 2400
	6.3 / 1560	6.3 / 1720	6.6 / 1580	6.1 / 1960	6.4 / 1860	6.6 / 1640
	8.3 / 1160	8.3 / 1280	8.5 / 1140	8.0 / 1460	8.3 / 1400	8.5 / 1180
	10.3 / 920	10.3 / 1000	10.6 / 860	10.1 / 1140	10.4 / 1100	10.6 / 900
	-	-	12.8 / 680	-	-	12.8 / 720
	-	-	15.0 / 560	-	-	15.0 / 600
Outreach / lifting capacity, with jib (m / kg)	-	-	-	-	13.5 / 410	-
	-	-	-	-	15.2 / 350	-
	-	-	-	-	17.1 / 300	-
Slewing angle	415°	415°	415°	415°	415°	415°
Height in folded position (mm)	2208	2208	2276	2231	2231	2276
Width in folded position (mm)	2500	2500	2500	2500	2500	2500
Installation space needed (mm)	861	861	854	927	927	927
Weight - "standard" crane without stabilizers (kg)	1580	1590	1960	1820	1830	2020
Weight - stabilizer equipment (kg)	195 - 366	230 - 371	195 - 366	195 - 366	195 - 366	195 - 366
Weight - jib (kg)	-	-	-	-	380	-

Hiab XS 122 E-5 HiPro



Hiab XS 122 E-3 HiPro jib 45X-2



Disclaimer. Hiab cranes have been built to meet the highest standards of safety and service life and have been thoroughly tested. Strength calculations for this model have been carried out in accordance with EN13001 in fatigue class S2. Cargotec's certified Quality Assurance System complies with ISO 9001. Some of the items in our literature may be extra equipment. Certain applications may require an official permit. We reserve the right to change technical specifications without prior notice. Hiab cranes produced for EU-countries are CE-marked and comply with the European Standard EN 12999.

Cargotec improves the efficiency of cargo flows by offering solutions for the loading and unloading of goods on land and at sea – wherever cargo is on the move. Cargotec's main daughter brands for cargo handling Hiab, Kalmar and MacGregor are global market leaders in their fields. www.cargotec.com

