

Hiab XS 066

Range 5-7 tm





Column close to centreline

On Hiab cranes with a rack-and-pinion slewing housing the centre of gravity is as close to the centreline as possible. This means that the same outreach is offered on both sides of the truck.

Load-holding valve

The load-holding valve is a combined hose-failure and load-holding valve which is mounted on the cylinder.

Giving you total confidence

The Hiab XS 066 boosts productivity

Crane performance and flexibility in the 5–7 tonne metre range is lifted to a higher level with the Hiab XS 066. Specially designed for installation on medium size trucks, the Hiab XS 066 with its low tare weight, maximizes transport economy. In addition, the crane's low height and compact dimensions in the folded position, ensures that every square metre of load space on your truck is fully utilised. The crane can be delivered with the CL, Duo or HiDuo control system.

HiDuo control system

The HiDuo control system is based upon the renowned Hiab Valve 80. HiDuo comes with the SPACE 4000 intelligence system which intelligently monitors and controls the electronic functions of your crane. These functions are focused on assisting the operator in two aspects, safety and productivity. The HiDuo control system support remote controlling with the XSDrive remote control.

SPACE 4000 intelligence system

The SPACE 4000 system intelligently monitors and controls the electronic functions of your crane. These functions are focused on assisting the operator in two aspects, safety and productivity. Safety is managed by an Over Load Protection (OLP) function and productivity is increased by the Automatic Duty Control (ADC) and the Hiab unique Automatic Speed Control (ASC) functions. Further more, the system handles functions primarily used by service personnel such as fault code indication and load cycle data. The SPACE 4000 is a part of the HiDuo control system.

Built to meet your needs

An optional D-link makes the second boom move at a constant speed. This results in even smoother and more precise performance. You can also order the crane with an optional short second boom. This S-boom system increases lifting height close to the column, proving very useful when for example loading a second-layer pallet close to the column.



Hexagonal boom profile

The hexagonal profile ensures the boom is always in perfect balance, thanks to its shape and large support surface. The profile also minimizes boom deflection, which reduces maintenance costs and increases efficiency.

Large slide pads

The hexagonal profile enables the use of larger slide pads. This makes the extensions move more smoothly and reduces mechanical wear on the boom.

Attachable tools

A wide range of attachable tools are available for your Hiab crane. These make sure you can carry out a lot of different tasks.



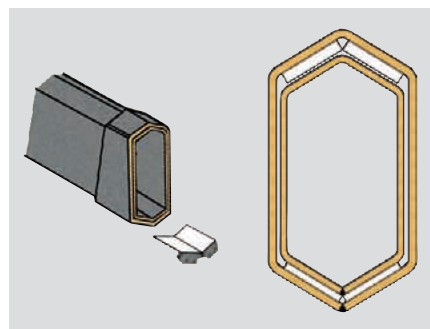
XSDrive

The Hiab XSDrive has been ergonomically developed to relieve you of stress and strain in hands, arms and back. The load indicators provide information for quick and correct actions while work is on-going. There are also a number of accessories that can be added in order to find the ideal control solution for you.



Valve 80

The Hiab Valve 80 is a top-of-the-line open-centre valve based on well-proven technique which gives superb reliability. The valve handles large oil flows and provides great precision and ease of operation.



Hexagonal boom profile

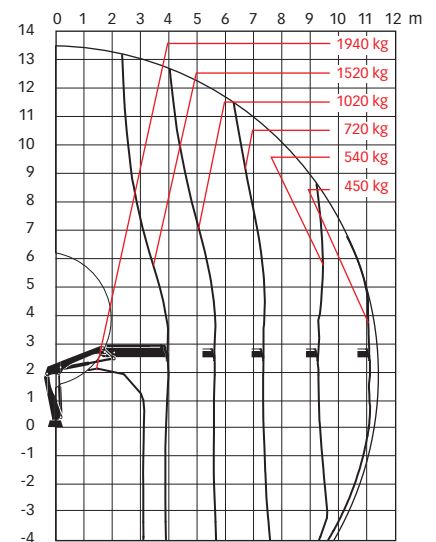
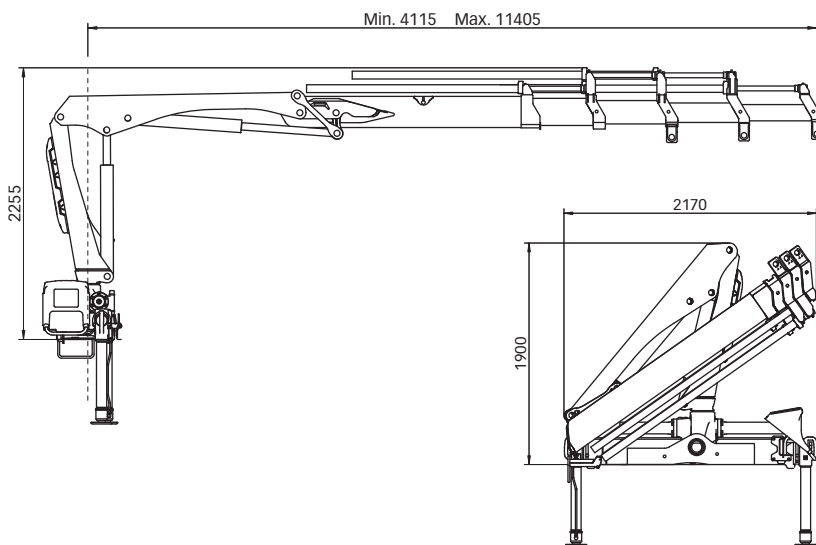
The hexagonal profile used on Hiab booms is a ground-breaking design introduced by Hiab many years ago. It is now standard throughout the market for loader cranes. Even the smallest Hiab crane benefits from this design.

Hiab XS 066 Basic data

Technical data

	B-2 CL	D-2 Duo	D-3 HiDuo	D-4 HiDuo
Max. lifting capacity (kNm)	53	59	61	58
Outreach - hydraulic extensions (m)	7.3	7.3	9.3	11.3
Outreach - manual extensions (m)	9.1	11.3	11.3	-
Outreach / Lifting capacity, standard (m / kg)	2.7 / 2040	2.5 / 2360	2.9 / 2140	3.1 / 1940
	3.8 / 1420	3.9 / 1540	4.0 / 1560	3.9 / 1520
	5.4 / 980	5.4 / 1080	5.5 / 1080	5.5 / 1020
	7.2 / 720	7.2 / 800	7.3 / 800	7.3 / 720
	-	-	9.3 / 620	9.2 / 540
	-	-	-	11.1 / 450
Slewing angle	410°	410°	410°	410°
Height in folded position (mm)	1900	1900	1900	1900
Width in folded position (mm)	2160	2015	2150	2170
Installation space needed (mm)	565	650	650	650
Weight - "standard" crane without stabilizers (kg)	850	870	950	1020
Weight - stabilizer equipment (kg)	105 - 160	105 - 160	105 - 160	105 - 160

Hiab XS 066 D-4 HiDuo



Disclaimer. Hiab cranes have been built to meet the highest standards of safety and service life and have been thoroughly tested. Strength calculations for this model have been carried out in accordance with EN13001 in fatigue class S1. Cargotec's certified Quality Assurance System complies with ISO 9001. Some of the items in our literature may be extra equipment. Certain applications may require an official permit. We reserve the right to change technical specifications without prior notice. Hiab cranes produced for EU-countries are CE-marked and comply with the European Standard EN 12999.

Cargotec improves the efficiency of cargo flows by offering solutions for the loading and unloading of goods on land and at sea – wherever cargo is on the move. Cargotec's main daughter brands for cargo handling Hiab, Kalmar and MacGregor are global market leaders in their fields. www.cargotec.com

Cargotec improves the efficiency of cargo flows by offering solutions for the loading and unloading of goods on land and at sea – wherever cargo is on the move. Cargotec's main daughter brands for cargo handling Hiab, Kalmar and MacGregor are global market leaders in their fields. www.cargotec.com

