

HIAB T-CLX 029



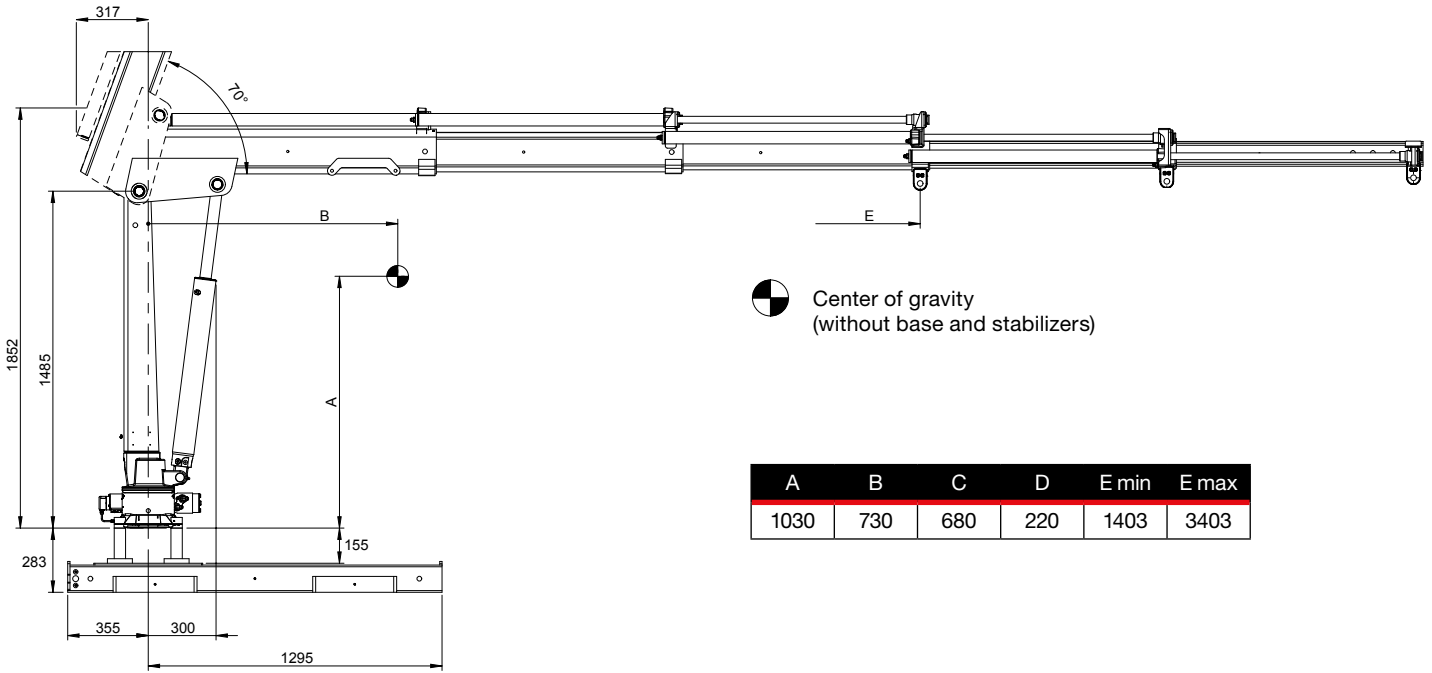
HIAB T-CLX 029 BASIC DATA


| Technical data | CLX 029-2 CE | CLX 029-3 CE | CLX 029-4 CE | CLX 029-2 | CLX 029-3 | CLX 029-4 |
|---|-------------------------------|--|---|---------------------------------|--|---|
| Max. lifting capacity (kNm) | 27.2 | 27.1 | 26.1 | 27.2 | 27.1 | 26.1 |
| Lifting capacity (tm) | 2.8 | 2.8 | 2.7 | 2.8 | 2.8 | 2.7 |
| Outreach / lifting capacity, hydraulic extension (m/kg) | 1.5/995 2.4/995 3.4/800 | 1.5/995 2.4/995 3.4/780 4.4/600 | 1.6/995 2.5/995 3.5/720 4.5/540 5.5/440 | 1.5/1860 2.4/1140 3.4/800 | 1.5/1840 2.4/1120 3.4/780 4.4/600 | 1.6/1660 2.5/1020 3.5/720 4.5/540 5.5/440 |
| Outreach / lifting capacity, manual extension (m/kg) | 4.4/600 5.5/450 | 5.5/440 | | 4.4/600 5.5/450 | 5.5/440 | |
| Outreach, hydraulic extensions (m) | 1.9 | 2.9 | 3.9 | 1.9 | 2.9 | 3.9 |
| Hydraulic boom extensions (m) | 3.4 | 4.4 | 5.5 | 3.4 | 4.4 | 5.5 |
| Outreach, manual extensions (m) | 2.1 | 1.1 | | 2.1 | 1.1 | |
| Lifting height above installation level (m) | 4.7 | 5.7 | 6.7 | 4.7 | 5.7 | 6.7 |
| Manual lifting height above installation level inc. Manual ext.(m) | 6.7 | 6.7 | | 6.7 | 6.7 | |
| Recommended oil flow (l/min) | 10 | 10 | 10 | 10 | 10 | 10 |
| Power needed at rec. oil flow (kW) | 3 | 3 | 3 | 3 | 3 | 3 |
| Max. working pressure (MPa) | 17.5 | 17.5 | 17.5 | 17.5 | 17.5 | 17.5 |
| Tank Capacity PTO (l) | 18 | 18 | 18 | 18 | 18 | 18 |
| Slewing angle (°) | 322 | 322 | 322 | 322 | 322 | 322 |
| Max. slope viable at full capacity (°) | 5 | 5 | 5 | 5 | 5 | 5 |
| Slewing torque, gross (kNm) | 3 | 3 | 3 | 3 | 3 | 3 |
| Slewing speed (°/s) | 14 | 14 | 14 | 14 | 14 | 14 |
| Height in folded position (mm) | 1551 | 1551 | 1551 | 1551 | 1551 | 1551 |
| Width in folded position staticmounted (mm) | 798 | 798 | 798 | 798 | 798 | 798 |
| Width in folded position truck mounted (mm) no stab beam/with stab beam and tilting | 1826/1926 | 1826/1926 | 1826/1926 | 1826/1926 | 1826/1926 | 1826/1926 |
| Installation space needed static mounted (mm) | 300 | 300 | 300 | 300 | 300 | 300 |
| Installation space needed truck mounted (mm) | 536 | 536 | 536 | 536 | 536 | 536 |
| Weight, static mounted (kg) | 265 | 303 | 341 | 265 | 303 | 341 |
| Weight, mounting frame plus 2 short hydr. stabilizer legs (kg) | 121 | 121 | 121 | 121 | 121 | 121 |

This table shows a few examples of models, and represents some of all options available. With the opportunity to configure your crane, we can provide you with a crane perfectly tailored to your needs.

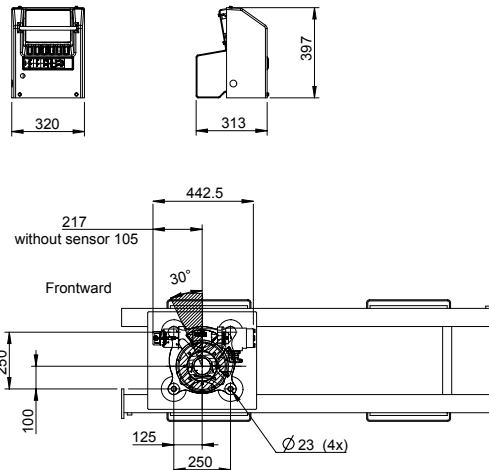
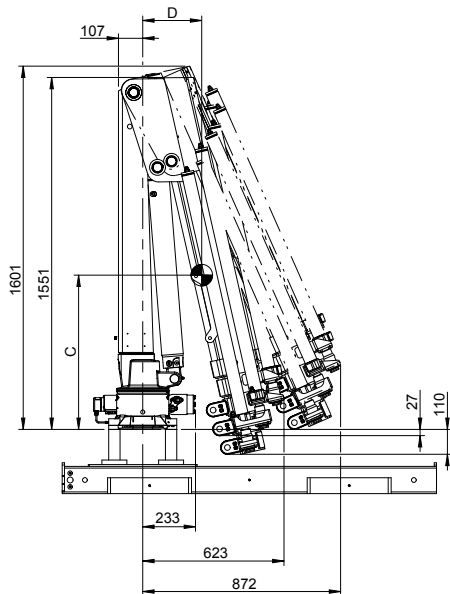
Please contact your local dealer for more information on the variety of options we can offer.

HIAB T-CLX 029-2

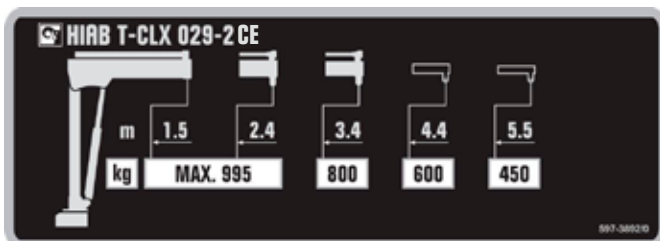


 Center of gravity (without base and stabilizers)

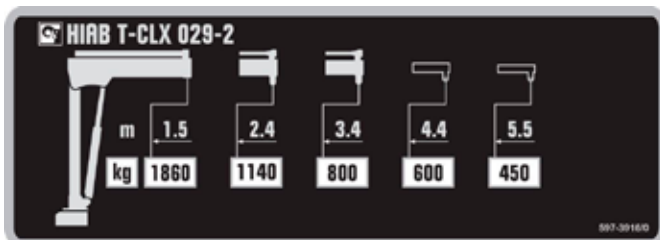
| A | B | C | D | E min | E max |
|------|-----|-----|-----|-------|-------|
| 1030 | 730 | 680 | 220 | 1403 | 3403 |



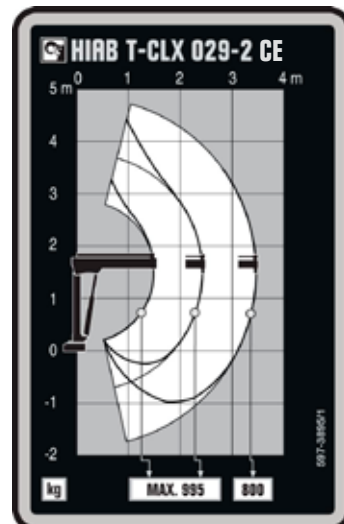
Capacity plate HIAB T-CLX 029-2 CE



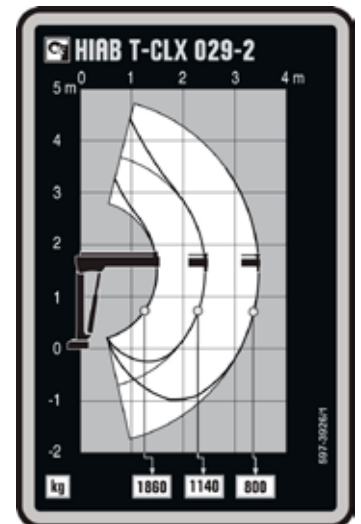
Capacity plate HIAB T-CLX 029-2



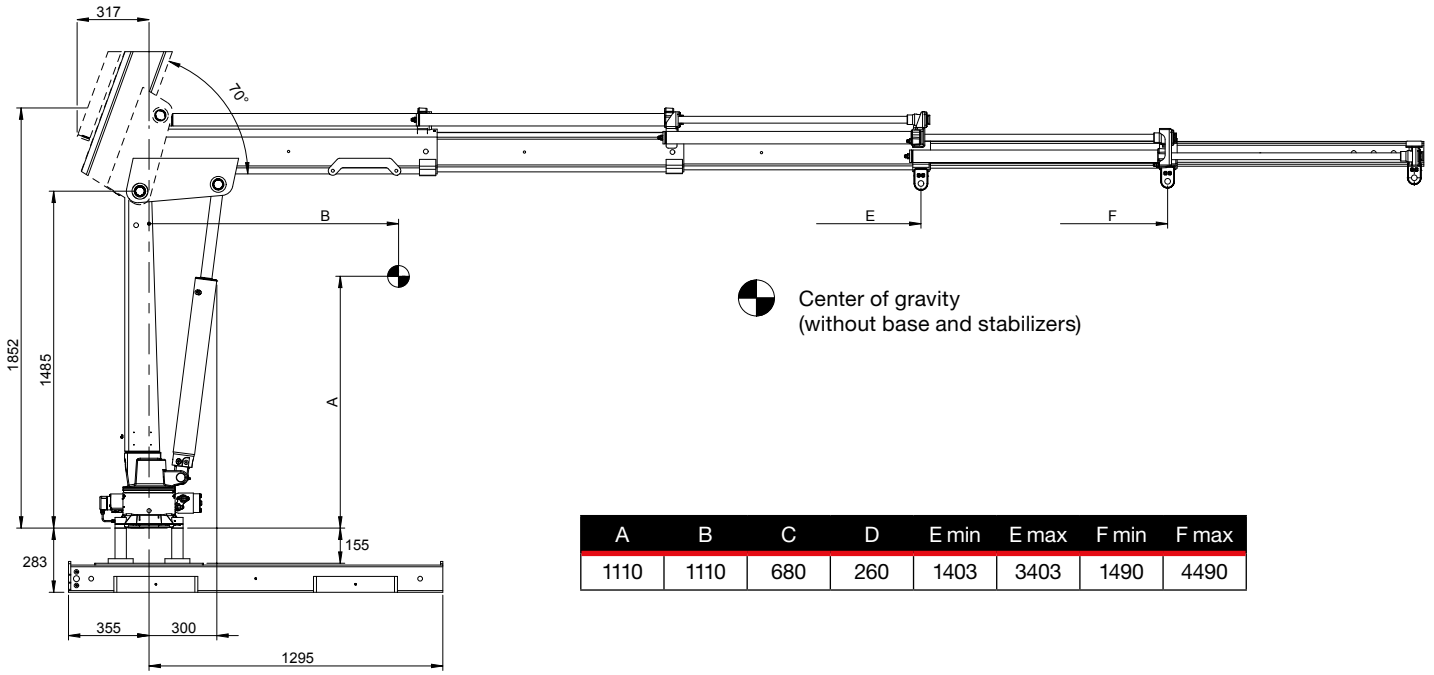
Load diagram HIAB T-CLX 029-2 CE



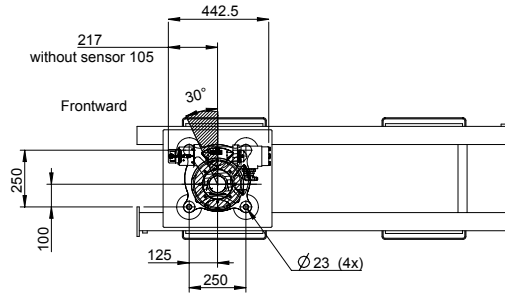
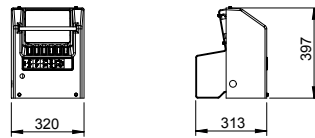
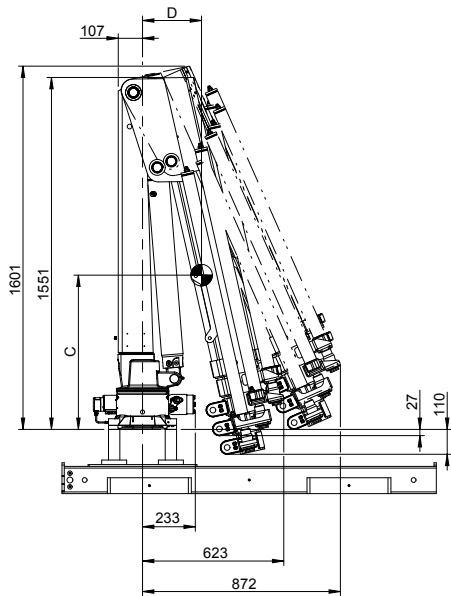
Load diagram HIAB T-CLX 029-2



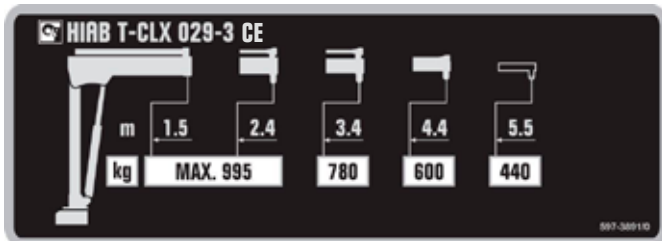
HIAB T-CLX 029-3



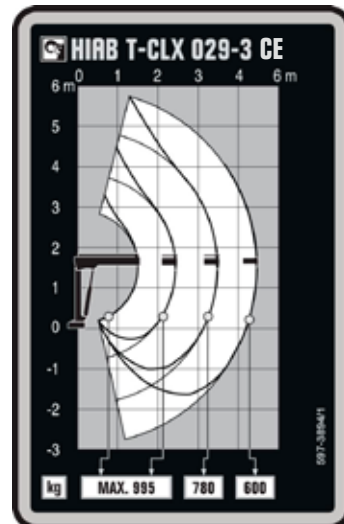
Center of gravity (without base and stabilizers)



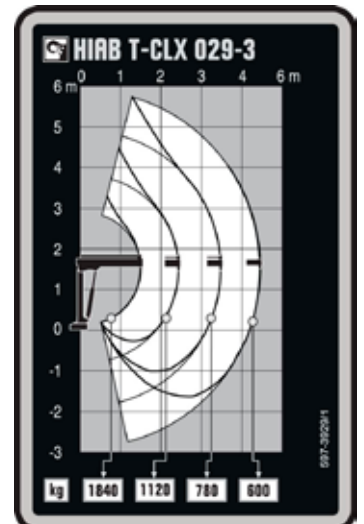
Capacity plate HIAB T-CLX 029-3 CE



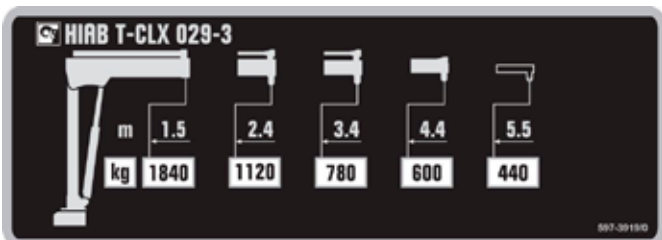
Load diagram HIAB T-CLX 029-3 CE



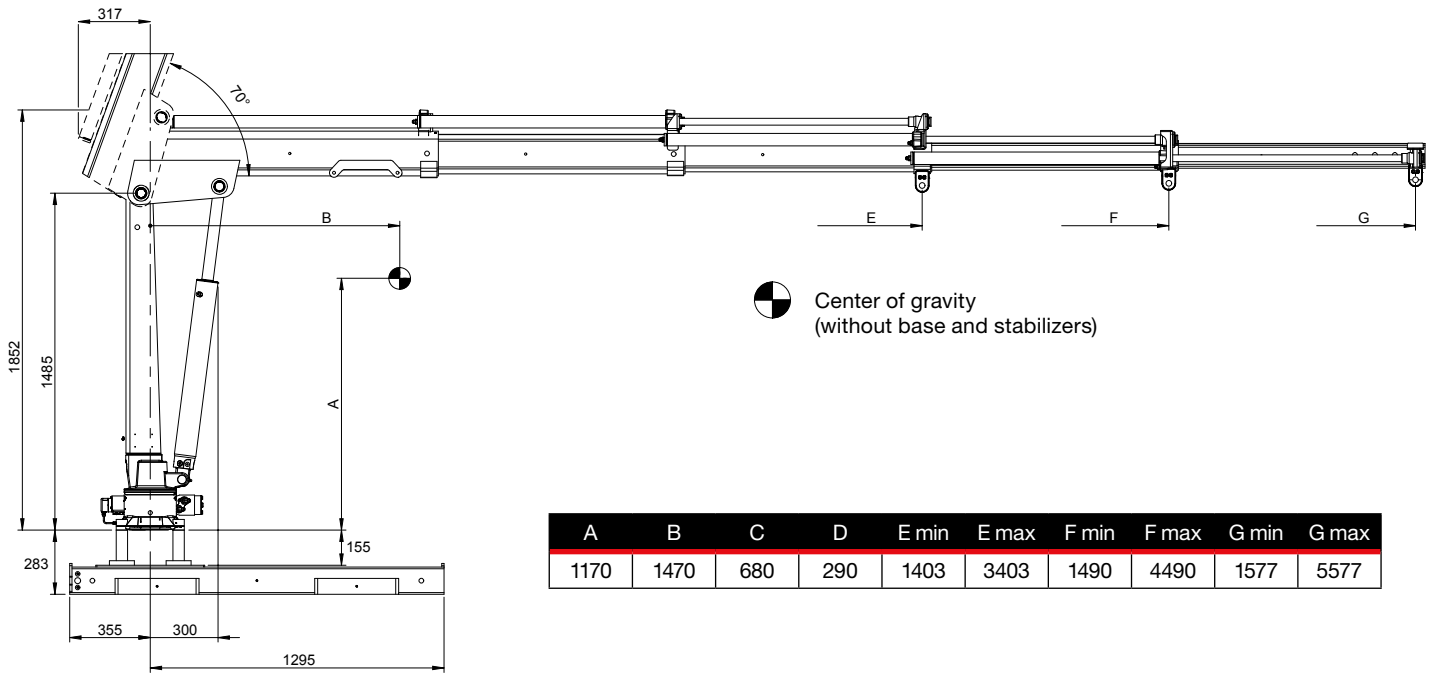
Load diagram HIAB T-CLX 029-3



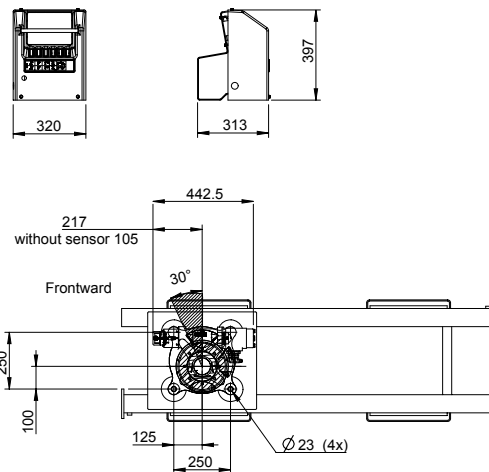
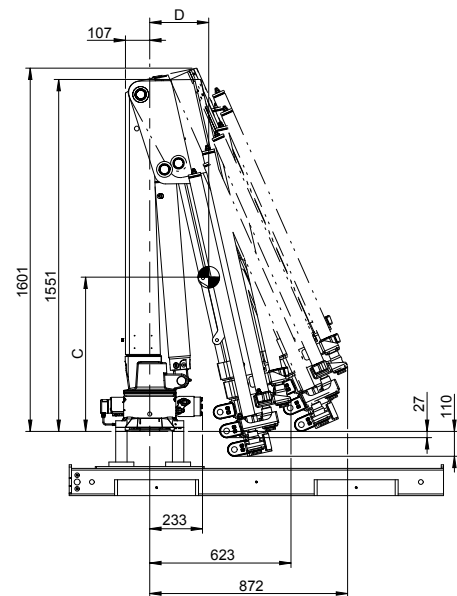
Capacity plate HIAB T-CLX 029-3



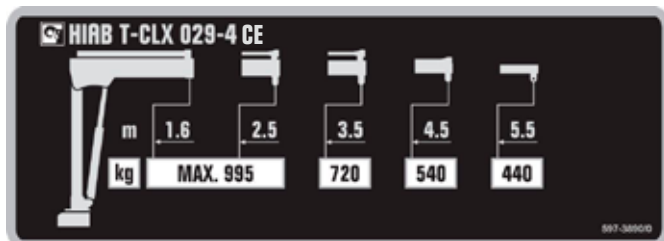
HIAB T-CLX 029-4



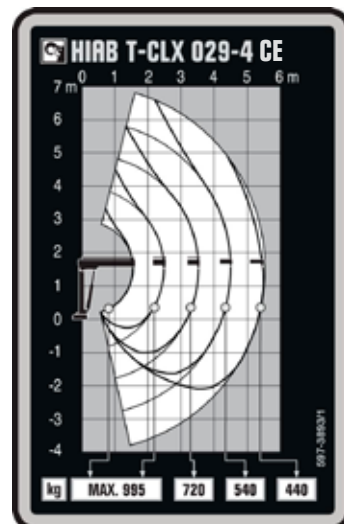
Center of gravity (without base and stabilizers)



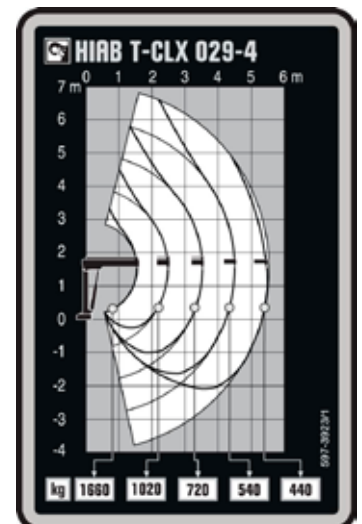
Capacity plate HIAB T-CLX 029-4 CE



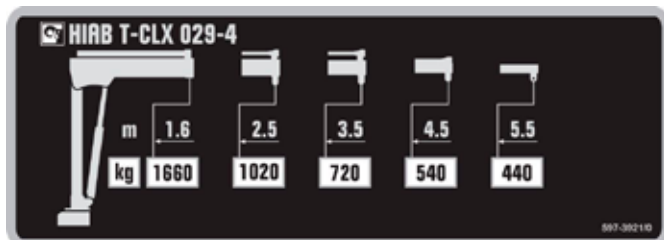
Load diagram HIAB T-CLX 029-4 CE



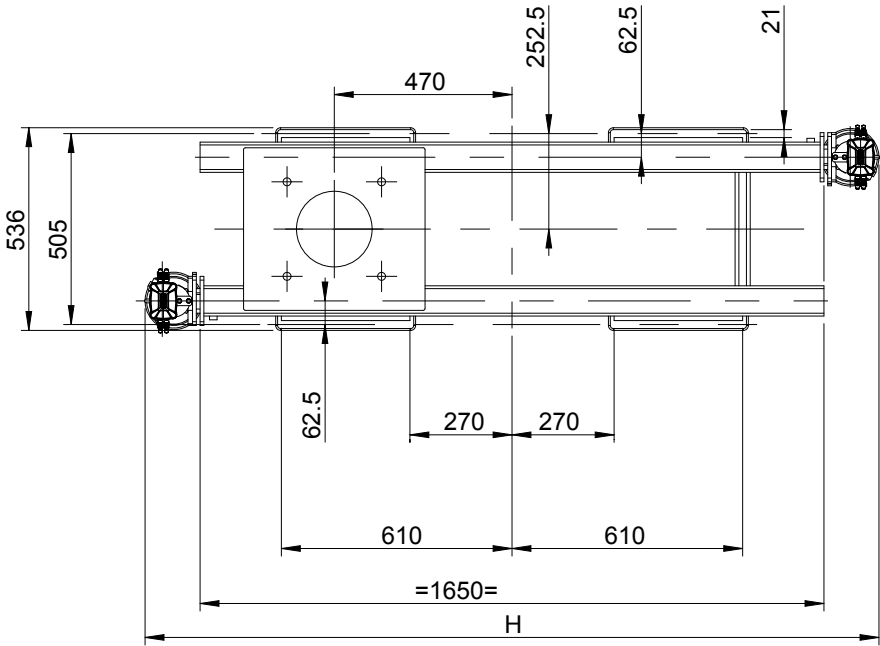
Load diagram HIAB T-CLX 029-4



Capacity plate HIAB T-CLX 029-4

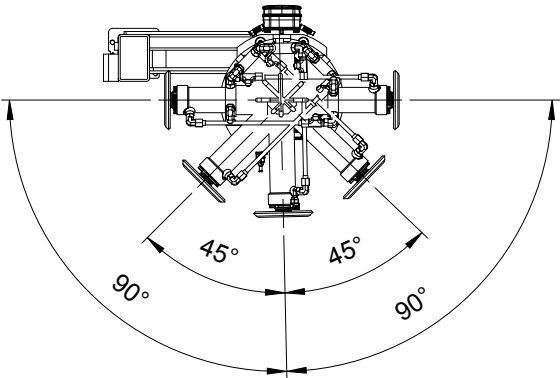


HIAB T-CLX 029



| Base | H |
|-------------------------------|------|
| Fixed | 1826 |
| Fixed with tilting device | 1886 |
| Extension | 1866 |
| Extension with tilting device | 1926 |

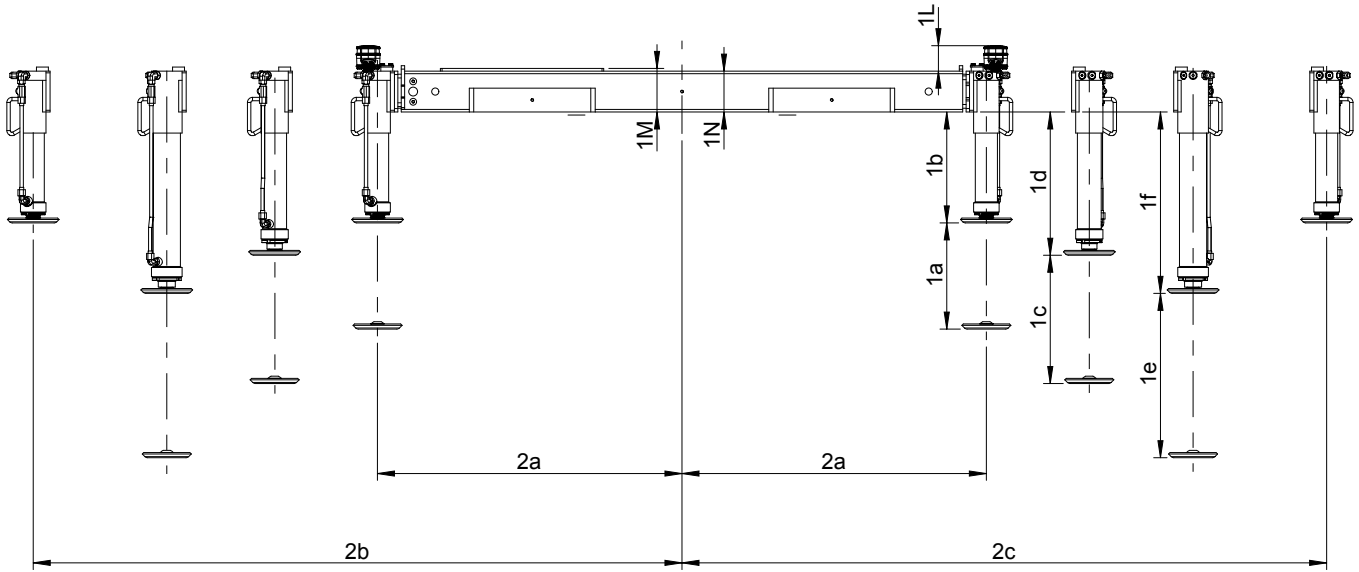
Tiltable stabilizer leg parking positions



HIAB T-CLX 029

Hydraulic stabilizer leg

Hydraulic stabilizer leg



Other base dimensions

| | Fixed stabilizer leg position | Tiltable stabilizer leg |
|----|-------------------------------|-------------------------|
| 1L | 75 | 52 |
| 1M | 128 | 128 |
| 1N | 120 | 120 |

Stabilizer leg length

| | | Fixed stabilizer leg | | Tiltable stabilizer leg** |
|--------------------------|--------|----------------------|-----|---------------------------|
| Hydraulic stabilizer leg | Short | 1a | 312 | 312 |
| | | 1b | 326 | 349 |
| | Medium | 1c | 377 | 377 |
| | | 1d | 421 | 444 |
| | Long | 1e | 483 | 483 |
| | | 1f | 533 | 556 |

Base width

| | | Fixed stabilizer leg | Outrigger beam length Short (300 mm) | Outrigger beam length Medium (600 mm) | Outrigger beam length Long (1100 mm) |
|-------------------------------|----|----------------------|---|--|---|
| Fixed stabilizer leg position | 2a | 875 | 895 | 895 | 895 |
| | 2b | | 1195 | 1695 | 1995 |
| | 2c | | 1195 | 1695 | 1995 |
| Tiltable stabilizer leg | 2a | 905 | 925 | 925 | 925 |
| | 2b | | 1225 | 1725 | 2025 |
| | 2c | | 1225 | 1725 | 2025 |

BUILT TO PERFORM

Hiab is the world's leading provider of on-road load handling equipment. Customer satisfaction is the first priority for us. Hiab's product range includes HIAB loader cranes, JONSERED recycling and forestry cranes, LOGLIFT forestry cranes, MOFFETT truck mounted forklifts and MULTILIFT demountables, as well as DEL, WALTCO and ZEPRO tail lifts.

hiab.com

Hiab is part of Cargotec.

cargotec.com

Disclaimer. We reserve the right to make changes. Illustrations, drawings and data are not always in accordance with the latest version or standard model in production. The models in the pictures may present special equipment or colours.

TD-TOLX028-EN-EU_151109