

HIAB X-HIDUO 258



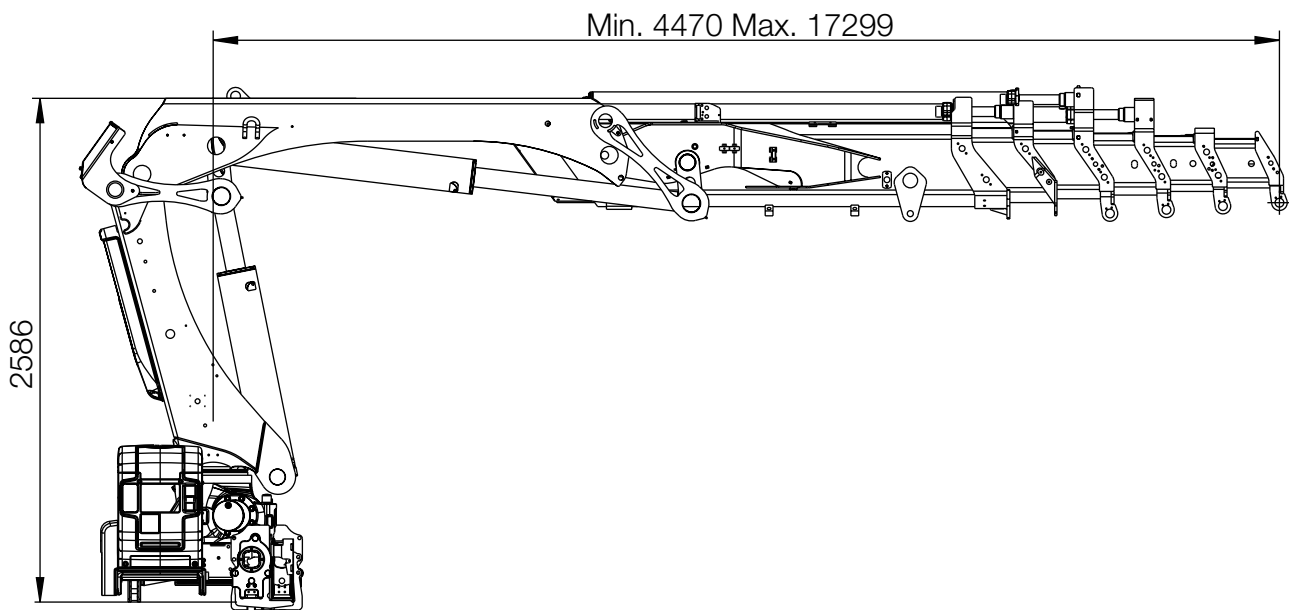
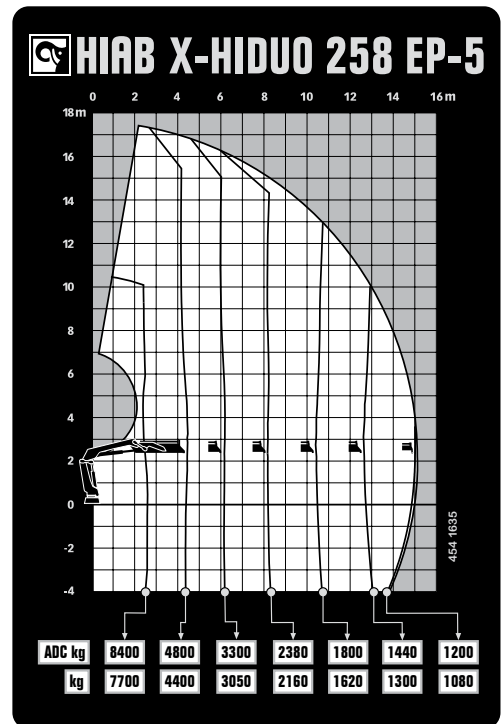
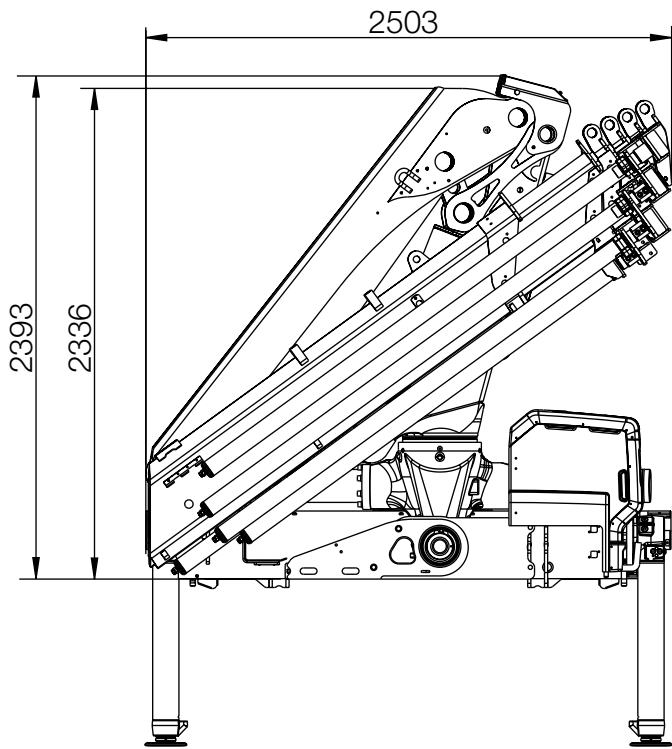
HIAB X-HIDUO 258 BASIC DATA

BASIC DATA	X-HiDuo 258 E-6	X-HiDuo 258 E-8	X-HiDuo 258 EP-4	X-HiDuo 258 EP-5
Mdyn	294 kNm	295 kNm	291 kNm	294 kNm
Lifting capacity (kNm)	186	176	199	195
Lifting capacity (tm)	19.0	18.0	20.3	19.8
Lifting capacity (ADC) (kNm)	202	193	215	211
Lifting capacity (ADC) (tm)	20.6	19.7	21.9	21.5
Outreach - lifting capacity, standard (m-kg)	2.4 - 8 400 4.5 - 4 600 6.1 - 3 150 7.9 - 2 280 9.8 - 1 720 11.8 - 1 340 13.9 - 1 100 16.1 - 920	2.4 - 8 100 4.7 - 4 200 6.3 - 2 840 8.1 - 1 980 10.0 - 1 420 12.0 - 1 060 14.1 - 820 16.3 - 660 18.6 - 540 20.9 - 480	2.5 - 8 500 4.4 - 5 000 6.1 - 3 500 8.1 - 2 520 10.3 - 1 940 12.6 - 1 580	2.5 - 8 400 4.5 - 4 800 6.2 - 3 300 8.2 - 2 380 10.4 - 1 800 12.7 - 1 440 15.0 - 1 200
Outreach - lifting capacity, manual extensions (m-kg)	18.3 - 740 20.4 - 600	22.4 - 410	15.0 - 1 220 17.2 - 1 020	17.2 - 980
Hydraulic outreach, standard (m)	16.2	21.0	12.7	15.1
Hydraulic boom extension (m)	11.7	16.3	8.3	10.6
Outreach, manual extensions (m)	20.6	22.6	17.3	17.3
Lifting height above installation level, hydr/man (m)	18.8 / 23.1	23.6 / 25.1	15.3 / 19.9	17.7 / 19.9
Rec. oil flow (l/min)	70 - 90	70 - 90	70 - 90	70 - 90
Working pressure (Mpa)	32.6	32.6	32.6	32.6
Oil in tank (l)	150 - 200	150 - 200	150 - 200	150 - 200
Tank capacity (l)	0 - 235	0 - 235	0 - 235	0 - 235
Slewing angle (°)	410	410	410	410
Max slope viable at full capacity (°)	5	5	5	5
Slewing torque. gross (kNm)	28.3	28.3	28.3	28.3
Slewing speed 80 (°/s)	15	15	15	15
Slewing speed (°/s)	15	15	15	15
Lifting speed at standard hydraulic outreach (m/s)	2.8	3.6	2.2	2.6
Height in folded position (mm)	2 401	2 401	2 392	2 393
Width in folded position (mm)	2 505	2 508	2 500	2 503
Install space required with hose and pipe kit (mm)	1 220	1 212	1 229	1 179
Crane in standard version without stabiliser system (kg)	3 150	3 490	2 800	2 940
Frame attachments (kg)	56 - 63	56 - 63	56 - 63	56 - 63
Stabiliser system equipment (kg)	381 - 465	381 - 465	381 - 465	381 - 465

This table show one example of a model, and represents some of all options available. With the opportunity to configure your crane. we can provide you with a crane perfectly tailored to your needs.

Please contact your local dealer for more information and the exact data on the variety of options we can offer.

Hiab X-HIDUO 258 EP-5



BUILT TO PERFORM

Hiab is the world's leading provider of on-road load handling equipment. Customer satisfaction is the first priority for us. Hiab's product range includes HIAB loader cranes. JONSERED recycling and forestry cranes. LOGLIFT forestry cranes. MOFFETT truck mounted forklifts and MULTILIFT demountables. as well as DEL, WALTCO and ZEPRO tail lifts.

hiab.com

Hiab is part of Cargotec.

cargotec.com



© BD-XHIDUO258-EN-WW-161205



hiab.com

