

HIAB X-HIPRO 548



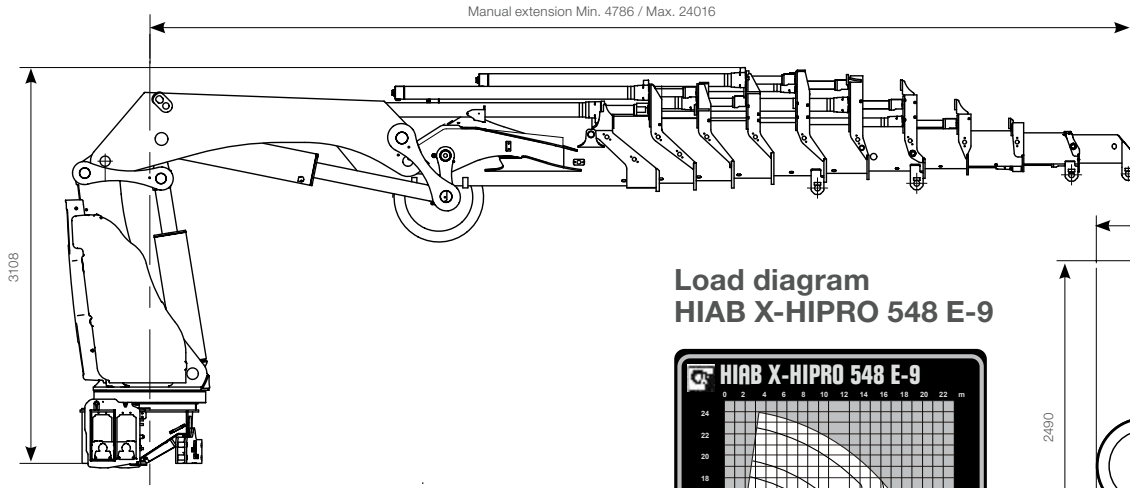
HIAB X-HIPRO 548 BASIC DATA

Technical data	HIAB X-HIPRO 548 E-9	HIAB X-HIPRO 548 E-8 +JIB 150X-6 JDC
Max. lifting capacity (kNm)	444	449
Outreach, hydraulic extensions (m)	21.8	19.6
Outreach with jib, without/with manual extension (m)	-	31.7 / 33.1
Outreach - Lifting capacity, hydraulic extension First boom 10 deg, Second boom horizontal	4.7 / 9600	4.6 / 9900
	6.2 / 6900	6.1 / 7200
	7.9 / 5100	7.8 / 5300
	9.7 / 3900	9.6 / 4100
	11.5 / 3100	11.4 / 3300
	13.5 / 2500	13.4 / 2680
	15.6 / 2060	15.5 / 2240
	17.6 / 1760	17.5 / 1940
	19.7 / 1540	19.6 / 1720
21.7 / 1380		
Outreach/Lifting capacity with manual extension (m/kg)	24 / 800	
Outreach / lifting capacity with jib, (extra-long jib support out) (m/kg)	-	22.7 / 440
	-	24 / 380
	-	25.3 / 340
	-	26.7 / 300
	-	28.2 / 270
	-	29.9 / 250
	-	31.6 / 230
Outreach/Lifting capacity with jib, manual extension (m/kg)		33.1 / 165
Slewing angle (°)	endless	endless
Height in folded position without / with jib (mm)	2490	2490 / 2637
Width in folded position without / with jib (mm)	2547	2526 / 2526
Installation space needed without / with jib (mm)	1502	1502 / 1623
Installation space needed (including rotation space) without / with jib (mm)	1664	1664 / 1785
Weight, "standard" crane, without stabilisers (kg)	5488	5307
Weight, jib without / with manual extension (kg)		1326 / 1380
Weight, frame attachments (kg)	72 - 115	72 - 115
Weight, stabiliser equipment, 8 m span (kg)	854 - 961	854 - 961

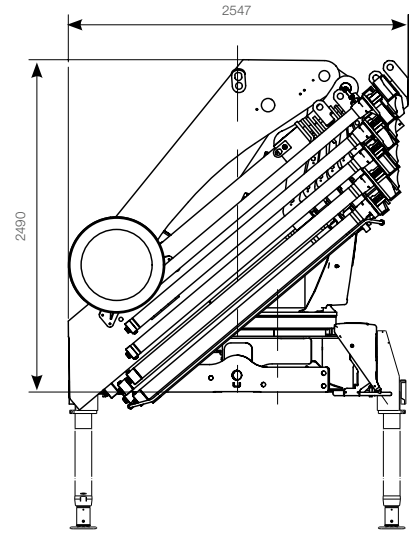
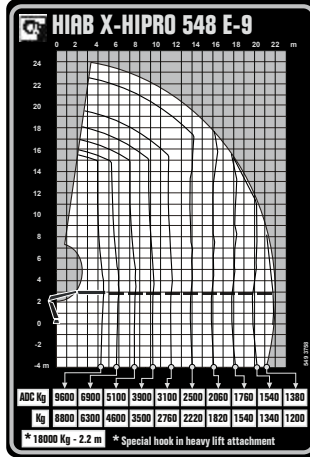
This table shows a few examples of models, and represents some of all options available. With the opportunity to configure your crane, we can provide you with a crane perfectly tailored to your needs.

Please contact your local dealer for more information on the variety of options we can offer.

HIAB X-HIPRO 548 E-9



Load diagram
HIAB X-HIPRO 548 E-9

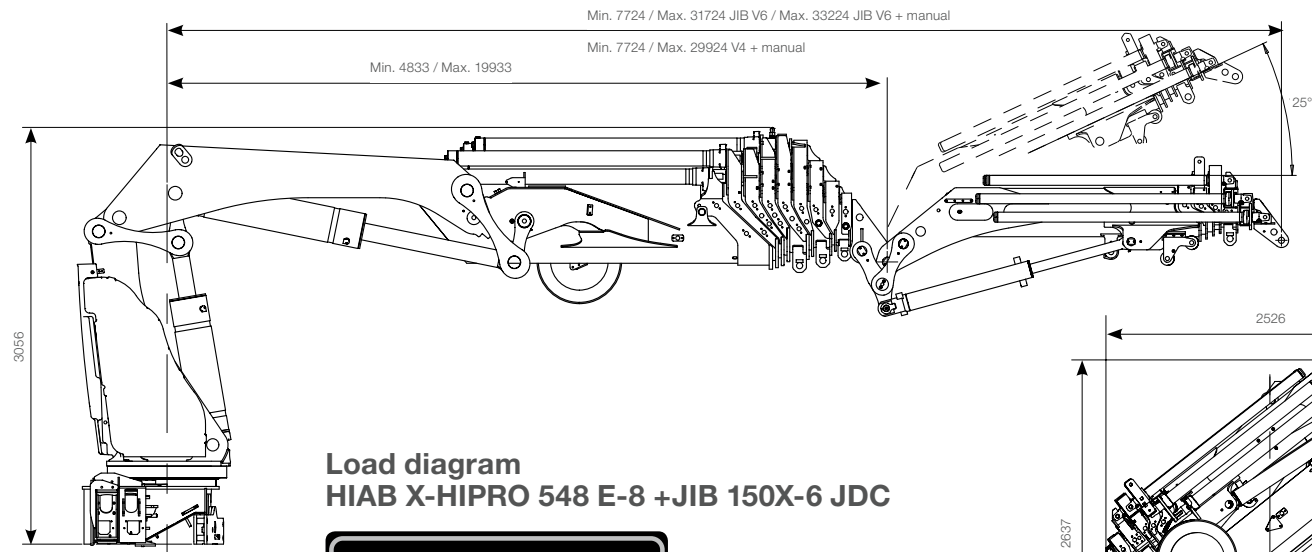


Capacity plate
HIAB X-HIPRO 548 E-9

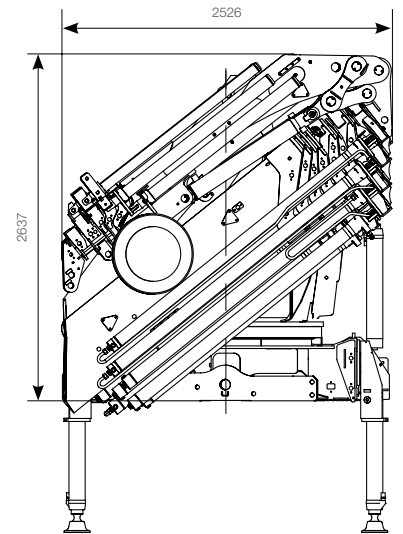
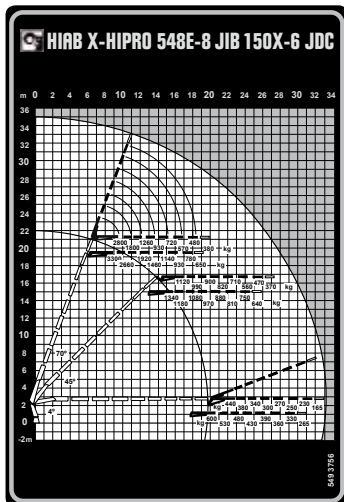
HIAB X-HIPRO 548 E-9	2.2	4.7	6.2	7.9	9.7	11.5	13.5	15.6	17.6	19.7	21.7	24.0
ADC Kg	*18000	9600	6900	5100	3900	3100	2500	2060	1760	1540	1380	800
Kg		8800	6300	4600	3500	2760	2220	1820	1540	1340	1220	

* Special hook in heavy lift attachment

HIAB HIAB X-HIPRO 548 E-8 + JIB 150X-6 JDC



Load diagram
HIAB X-HIPRO 548 E-8 + JIB 150X-6 JDC



BUILT TO PERFORM

Hiab is the world's leading provider of on-road load handling equipment. Customer satisfaction is the first priority for us. Hiab's product range includes HIAB loader cranes, JONSERED recycling and forestry cranes, LOGLIFT forestry cranes, MOFFETT truck mounted forklifts and MULTILIFT demountables, as well as DEL, WALTCO and ZEPRO tail lifts.

hiab.com

Hiab is part of Cargotec.

cargotec.com



BD-548-EN-EU_151013



hiab.com