

GMK3060

Grove Mobile Crane Product Line

GMK3060

The compact taxi crane



GMK3060

Grove Maniowoc National Crane Potain



GMK3060

What's new compared to GMK3055?

- ▶ New Crane Control System
- ▶ Facelift (cabs & decking)
- ▶ 2t more counterweight
- ▶ Boom configurator



GMK3060

Crane Control System (CCS)



- ▶ 2 Full graphic displays
- ▶ Vertically mounted for better visibility



- ▶ Jog dial for easier input
- ▶ New ergonomic joysticks

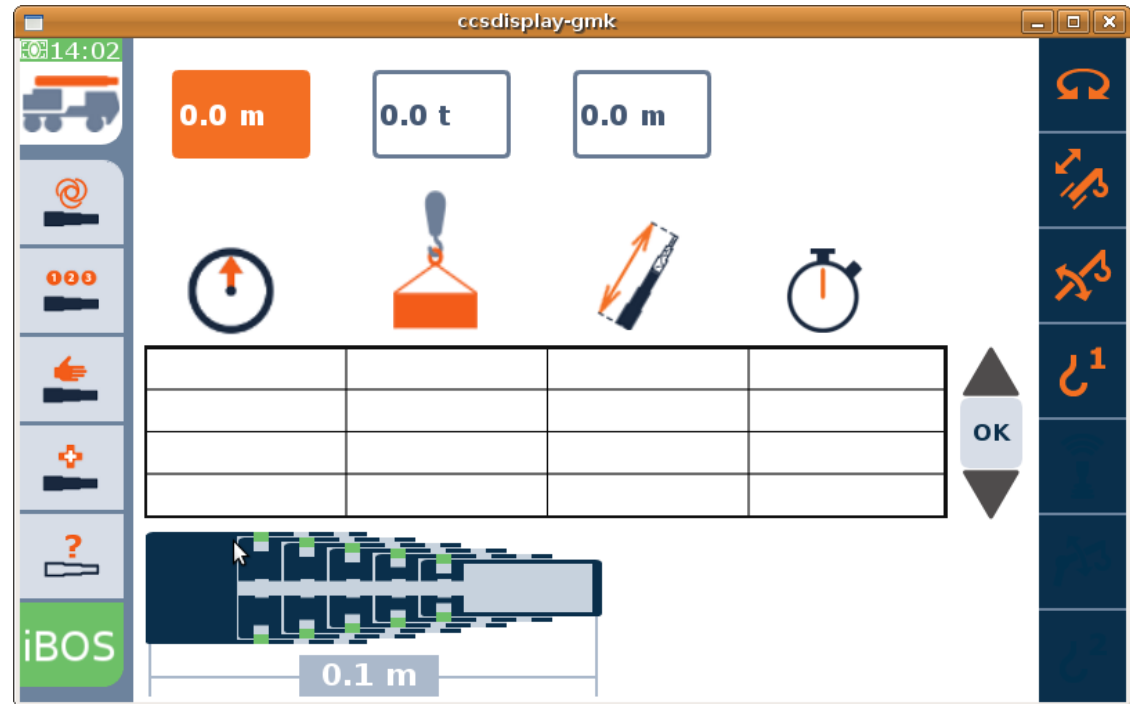


GMK3060

Boom configurator main screen

The boom configurator allows inputs for:

- ▶ Radius
- ▶ Load
- ▶ Boom length



The boom configurator always selects out of the previously entered rigging configuration (outrigger base, counterweight, jibs,...)!

Boom configurator

Load Input – Example (GMK3060)

- ▶ In this case the operator knows that he needs to lift a 15t load:

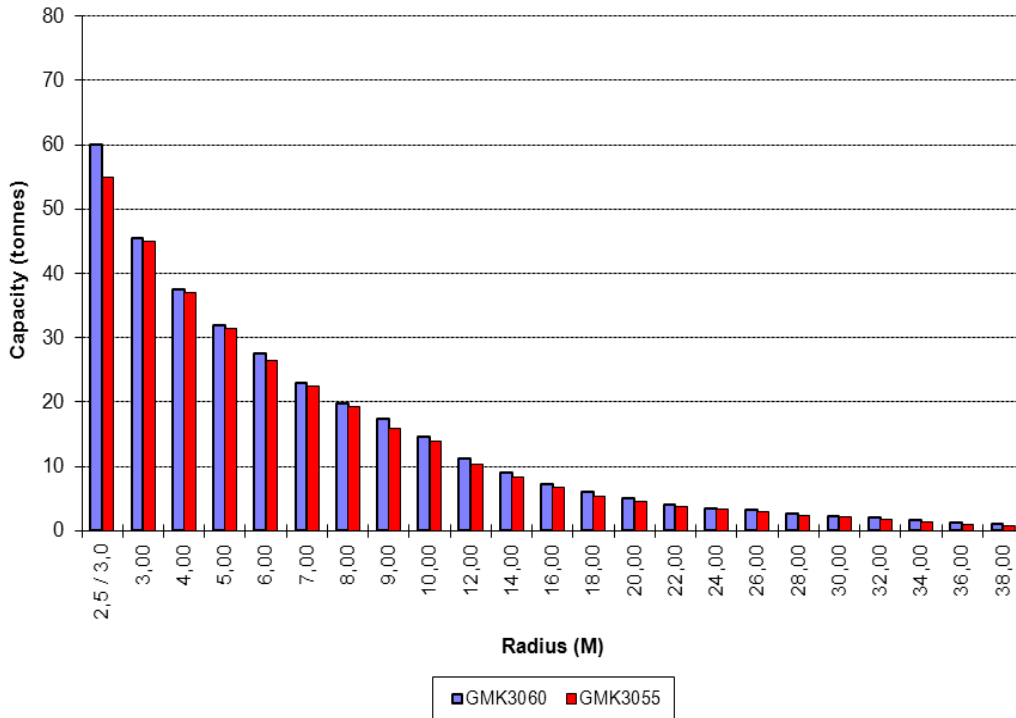
The screenshot shows the 'ccsdisplay-gmk' interface. At the top, three input fields show '0.0 m', '15.0 t', and '0.0 m'. Below these are icons for a crane hook, a boom, and a stopwatch. A table displays four configuration options with values for radius, load, boom length, and sequence time. The third option is highlighted in green. Below the table is a 3D diagram of the crane boom with a '0.1 m' dimension line. The interface includes a vertical toolbar on the left with icons for home, menu, help, and iBOS, and a vertical toolbar on the right with icons for back, forward, and other functions.

9.0	15.2	23.2	3.5
6.0	16.1	29.6	4.3
9.0	15.0	13.0	0.5
9.0	15.8	13.0	0.6

The boom configurator offers always best radius, maximum load, longest/shortest boom and the quickest sequence

GMK3060

New improved load chart with 2t add. ctw



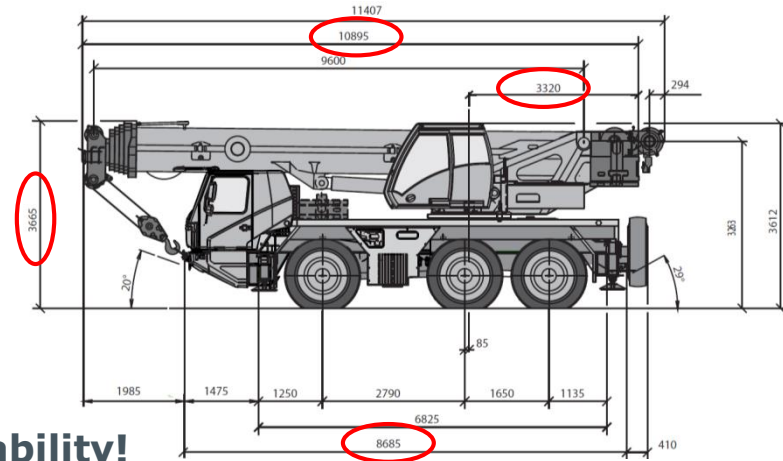
- ▶ Overall improvement approx. **6%** and on radius comparison approx. **9%** with 2t more counterweight compared to GMK3055

GMK3060

Compact dimensions

Most compact 3 axle AT crane

- ▶ Shortest overall length
- ▶ Shortest carrier
- ▶ Shortest tail swing
- ▶ Standard 2,55m width
- ▶ Lowest height (can be lowered to 3,54m!)
- ▶ Very low turning radii for excellent manoeuvrability!



GMK3060

Summary



- ▶ Compact dimensions
- ▶ Best taxi crane
- ▶ 6% better chart with 2t additional counterweight
- ▶ New Crane Control System
- ▶ Better ergonomic layout for operator
- ▶ Simplified operation with new boom configurator
- ▶ Face lift

New standard features:

- ▶ Working range limiter
- ▶ Work lights for outrigger beams
- ▶ Full graphic display for LMI
- ▶ Full graphic display in carrier cabin

